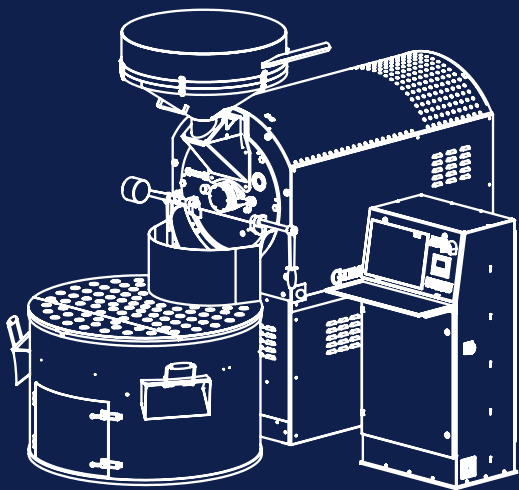




W140A



GIESEN[®]
coffee-roasters

info@giesencoffeeroasters.eu



Industrieweg 13 -15
7071CK Ulfst
The Netherlands



+31 (0)315 68 13 77

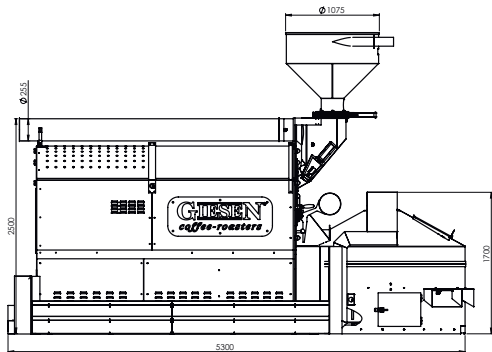
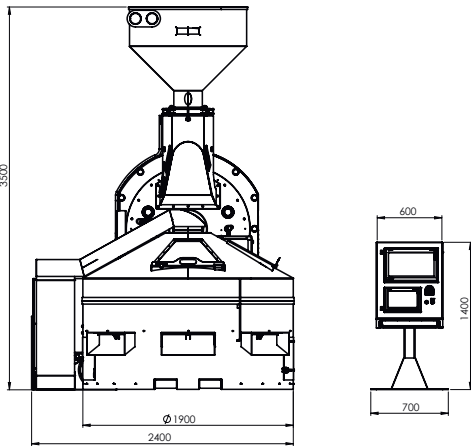
www.giesencoffeeroasters.eu

MANUFACTURER OF
HIGH QUALITY
COFFEE ROASTERS

GIESEN[®]
coffee-roasters

THE GIESEN STORY

With complete devotion, we aim to produce high quality coffee roasters that offer you the possibility to roast beans with more control than any other coffee roaster. By implementing new technology and focusing on developments in the industry, our team take craftsmanship to the next level.



W140A



Completely automatic roasting process

- » **CONTROL PANEL**
Implemented in the panel are two screens, one for the roast profiling system and one to control the coffee roaster.
- » **CAPACITY**
The coffee beans will be roasted up to 140 kg per batch, which is twice as much as the W60A.
- » **REMOTE SUPPORT ROUTER**
Get faster and easier support and updates with our remote support router.

SPECIFICATIONS

 Capacity 35 - 140 kg	 Gastype Natural & Propane	 Weight 2000+ kg
 Power 400 V - 50 Hz, 32A + 16A, 3-phase + N and Earth	 Exhaust 250 mm + 300 mm	 Certificates CE



SIZE MATTERS

The Giesen W140A is a completely automated coffee roaster. The Green Coffee Conveyor with weighing cells weighs your beans and transports them to the machine. The coffee beans will be roasted up to 140 kg per batch, which is more than twice as much as the W60A. The roast profile is completely

adjustable with drum speed control and airflow control. The low stationary burner makes it possible to control the temperature very accurately. The optional pellet press will press your coffee chaff into a disposable disk.

WHAT OUR CLIENTS SAY ABOUT OUR ROASTERS:

"Build quality and technology to control every aspect of the machine, which is key to every roast we do." - Brew Me Roastery

INCLUDED:

- ROAST PROFILE TOUCH
- REMOTE SUPPORT ROUTER
- WATER INJECTION
- CYCLONE SLUICE

ROASTER OPTIONS:

- COOLING SIEVE AIRCONDITIONING
- PELLET PRESS
- COOLING CYCLONE

OPTIONS:

- STANDARD BLACK/RVS
- ALL RAL COLORS
- COMPANY LOGO
- BLACK POWDER COATED ROOF
- GOLD HAMMERED OR PAINTED ROOF
- COMPANY LOGO
- TEMP. SENSOR DOUBLE READ OUT
- INFRARED SENSOR
- CROPSTER ACCESS CODE
- DIGITAL BURNER ON HMI DISPLAY
- ONE SIDE AUTOMATIC COOL SIEVE