

THE GIESEN STORY

With complete devotion, we aim to produce high quality coffee roasters that offer you the possibility to roast beans with more control than any other coffee roaster. By implementing new technology and focusing on developments in the industry, our team take craftsmanship to the next level.

W15A

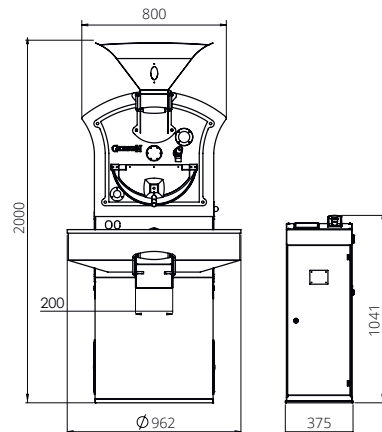
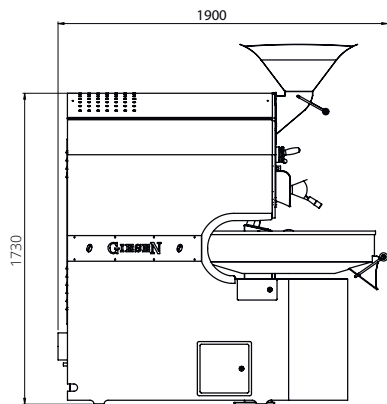


The roaster that makes roasting quicker and easier

- » **INDUSTRIAL LOOK AND FEEL**
Very appealing to look at because of its industrial appearance.
- » **ROAST & COOL**
Roast and cool at the same time, increasing the total production capacity.
- » **DOUBLE WALLED ROASTING DRUM**
Made of quality cast iron and steel. Retains and distributes heat evenly.

WHAT OUR CLIENTS SAY ABOUT OUR W15A:


"With the way we prefer to roast our coffee, we want to be able to control our highlights and especially the balance during roasting. Giesen roasters allow us to do that consistently, which is why we will still be using these roasters in the future." - Sasa Sestic



SPECIFICATIONS


Capacity
0,5 - 15 kg


Gastype
Natural & Propane


Weight
750 kg


Power
All power supplies


Exhaust
200 mm


Certificates
CE & UL



PERFECT ADDITION

Depending on the type of your business, the Giesen W15A is a perfect roaster to begin with. We have had many customers in the past who started out with the Giesen W6A and then switched to the W15A as business developed. An optional benefit of the Giesen W15A is – besides the production increase –

that it can be controlled via the Roast Profile System. This software system is preinstalled at a dedicated external laptop and enables you to record a roast and replay proven roast recipes at any time.

OPTIONS

- STANDARD BLACK/RVS
- ALL RAL COLORS
- COMPANY LOGO
- ROOF ALL RAL COLORS
- UNPAINTED RAW LOOK
- DIGITAL MANOMETER
- ROAST PROFILE SOFTWARE
- ROAST PROFILE TOUCHSCREEN PANEL
- ROAST PROFILE LAPTOP
- ROAST PROFILE TABLET
- CROPSTER ACCESS CODE
- REMOTE SUPPORT ROUTER
- TEMP. SENSOR DOUBLE READ OUT
- INFRARED SENSOR
- EXTERNAL CYCLONE